

HUD PTU

Secure Pass Through Unit

Technical Overview



Through Wall Secure Pass Through

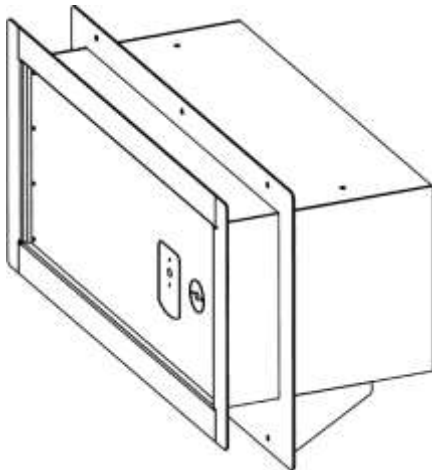
Ideal for environments where staff need to securely pass through valuables to a back room without compromising the security of the back room.

Allows the secure transfer of cash, valuables, documents and materials via the double door pass through unit.

Locking

Lagard 39E Digital locking to external and internal doors
Up to 9 user codes and dual user options.

Different locking options available.



Construction

- 5mm Steel Doors and 2mm Steel body.
- Stainless Steel piano door hinges
- Durable powder coated finish
- Fixed External Wall flange and adjustable internal flange to suit walls up to 200mm Deep
- Foam internal floor for sound absorption

Fixing

Unit is secured into a wall cavity with fixings from inside the pass through unit.

The external flange reinforces the unit by bracing it against the wall and masks the wall cut-out.

An adjustable internal flange with support stiffeners under the pass through body is secured to the internal wall and the unit is bolted to the flange base.

Dimensions :

700mm Long x 300mm High x360mm Deep

Other sizes available subject to manufacture lead times

